



Parts Manual

RZ3016 / 966042901

RZ3016BF / 966495501

Please read the operator's manual carefully and make sure you understand the instructions before using the machine.

When you need spare parts or support in service questions, warranty issues, etc., please consult the following professional:

This Parts Manual belongs to the machine with the manufacturing number:	Engine	Transmission

Manufacturing Number

The machine's manufacturing number can be found on the printed plate affixed to the engine compartment.

Stated on the plate, from the top are:

- The machine's type designation (I.D.).
- The manufacturer's type number (Model).
- The machine's serial number (Serial no.)

Please have the type designation and serial number available when ordering spare parts.

The engine's manufacturing number is stamped on one of the valve covers.

The plate states:

- The engine's model.
- The engine's type.
- Code

Please have these available when ordering spare parts.

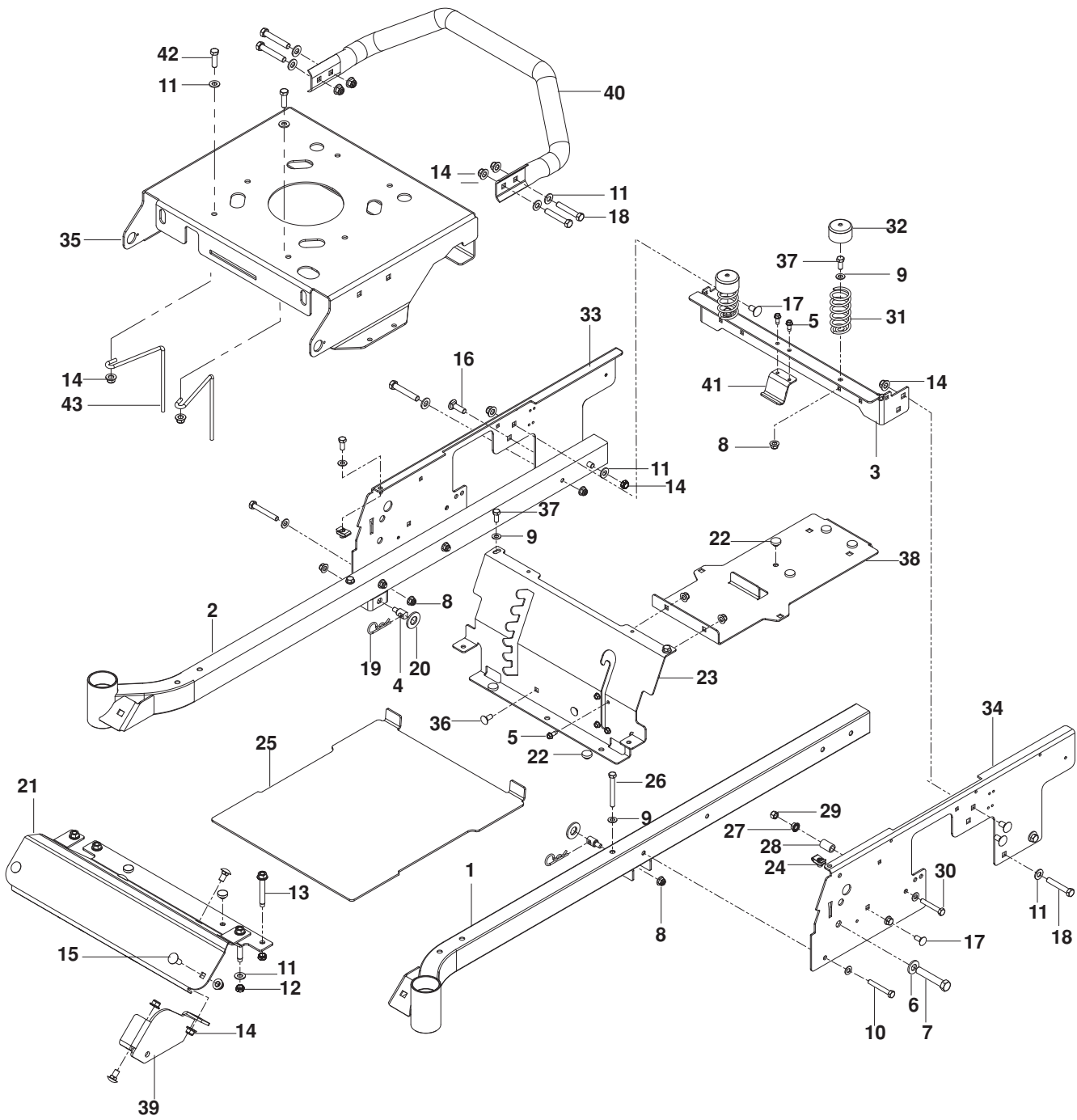
Wheel motors and hydrostatic pumps have a barcode decal affixed at the rear.

CONTENTS

CHASSIS / FRAME	4	WHEELS / TIRES.....	14
ENGINE PLATE.....	6	BRAKE / DECK LIFT	16
STEERING	8	30" DECK	18
IGNITION.....	10	SEAT	20
HYDRAULIC PUMP / MOTOR	12	DECALS	22

NOTE: ALL FASTENERS ARE GRADE 5 UNLESS OTHERWISE SPECIFIED.

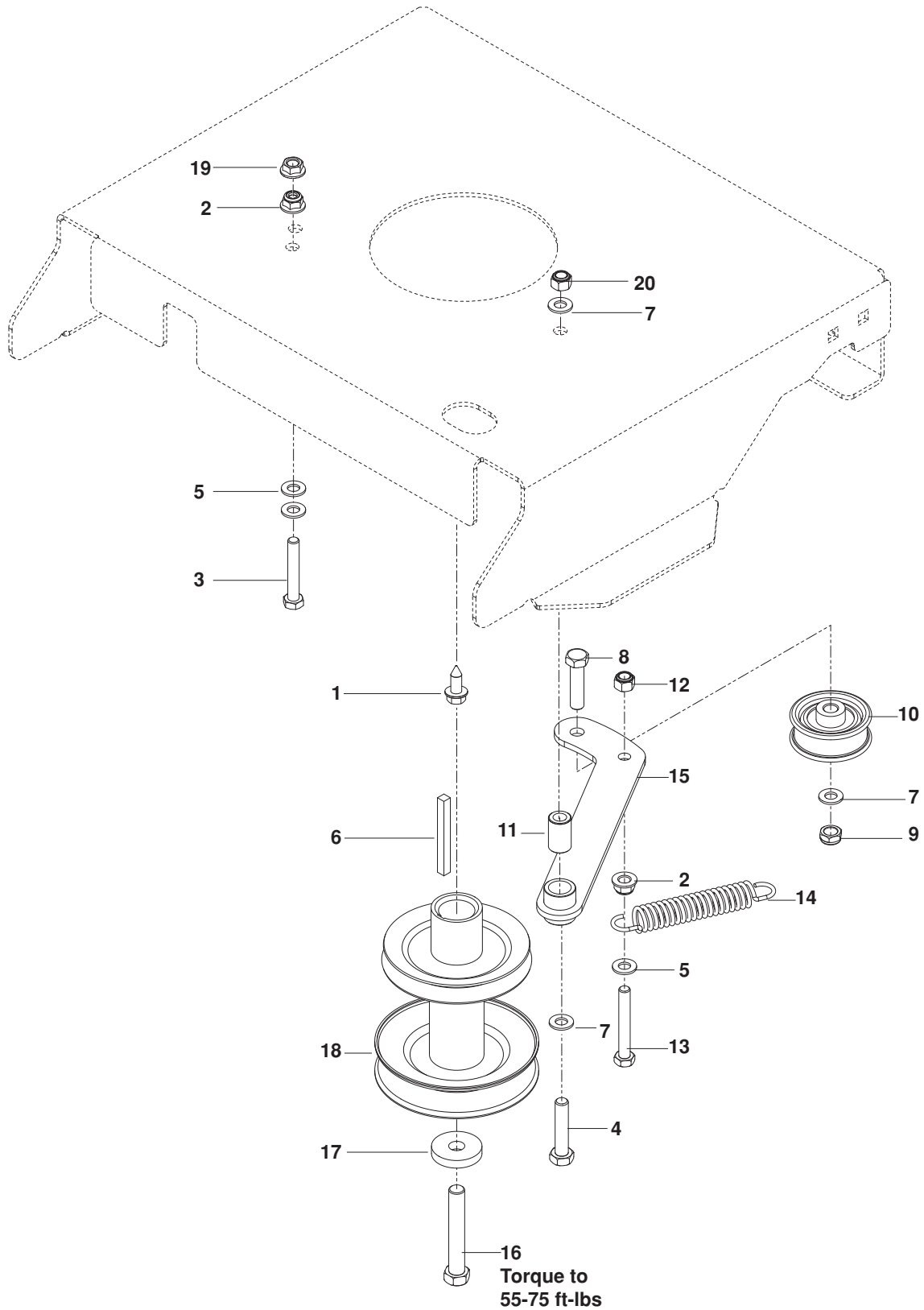
CHASSIS / FRAME



CHASSIS / FRAME

ITEM	PART NO.	QTY.	DESCRIPTION	ITEM	PART NO.	QTY.	DESCRIPTION
1..	525 454702....	1 FRAME TUBE, LH	23..	525 503402....	1 PANEL, SEAT SUPPORT
2..	525 454902....	1 FRAME TUBE, RH	24..	539 104763....	4 U TYPE RETAINER
3..	525 464602....	1 SUPPORT, REAR SEAT	25..	525 455102....	1 FOOT PLATE
4..	532 195161....	2 STUD w/ ANTI-ROTATE	26..	539 101721....	2 BOLT, HEX HD $\frac{5}{16}$ -18 x $2\frac{3}{4}$
5..	539 990362....	6 SCREW $\frac{1}{4}$ -20 x $\frac{5}{8}$ SLF TAP	27..	539 990585....	4 NUT $\frac{5}{16}$ -18 HEX WHIZLK
6..	539 990250....	6 WASHER $\frac{1}{2}$ SAE	28..	539 119087....	2 BUSHING
7..	539 101332....	2 BOLT, HEX HD $\frac{1}{2}$ -13 x $2\frac{3}{4}$	29..	539 990717....	8 NUT $\frac{5}{16}$ -18 HEX NYLOC
8..	539 112899..	14 NUT $\frac{5}{16}$ -18 FLANGE NYLOC	30..	539 976937....	2 BOLT, HEX HD $\frac{5}{16}$ -18 x 2
9..	539 990188..	12 WASHER $\frac{5}{16}$ SAE FLAT	31..	539 122632....	2 SPRING, SEAT
10..	539 976938....	4 BOLT, HEX HD $\frac{5}{16}$ -18 x $2\frac{1}{4}$	32..	539 119884....	2 CAP, SPRING
11..	539 990122....	8 WASHER $\frac{3}{8}$ SAE FLT	33..	525 813802....	1 PLATE, RH
12..	539 200282....	8 NUT $\frac{3}{8}$ -16 HEX JAM NYLOC	34..	525 813902....	1 PLATE, LH
13..	539 111976....	4 BOLT $\frac{3}{8}$ -16 x $2\frac{5}{8}$ THD FRM	35..	525 462603....	1 PLATE, ENGINE
14..	521 996501..	14 NUT $\frac{3}{8}$ -16 FLANGE NYLOC	36..	539 990316....	4 BOLT, RD HD $\frac{5}{16}$ -18 x $\frac{3}{4}$
15..	539 990645....	2 BOLT, RD HD $\frac{3}{8}$ -16 x 1	37..	539 976934....	4 BOLT, HEX HD $\frac{5}{16}$ -18 x $\frac{3}{4}$
16..	539 100413....	1 BOLT, RD HD $\frac{3}{8}$ -16 x $1\frac{1}{4}$	38..	525 798402....	1 SUPPORT, TANK
17..	539 111785....	6 BOLT, RD HD $\frac{3}{8}$ -16 x $\frac{3}{4}$	39..	525 605502....	1 BRACKET, FRONT DECK
18..	539 990629....	8 BOLT, HEX HD $\frac{3}{8}$ -16 x $2\frac{1}{4}$	40..	525 865902....	1 GUARD, REAR
19..	539 976989....	2 HAIRPIN	41..	525 864502....	1 BRACKET, FUEL TANK
20..	539 976982....	2 WASHER $\frac{5}{8}$ SAE FLT	42..	539 976941....	2 BOLT, HEX HD $\frac{3}{8}$ -16 x $1\frac{1}{4}$
21..	525 835902....	1 FOOT REST	43..	574 172901....	2 GUIDE, BELT
22..	539 102587....	8 GROMMET,BUMPER				

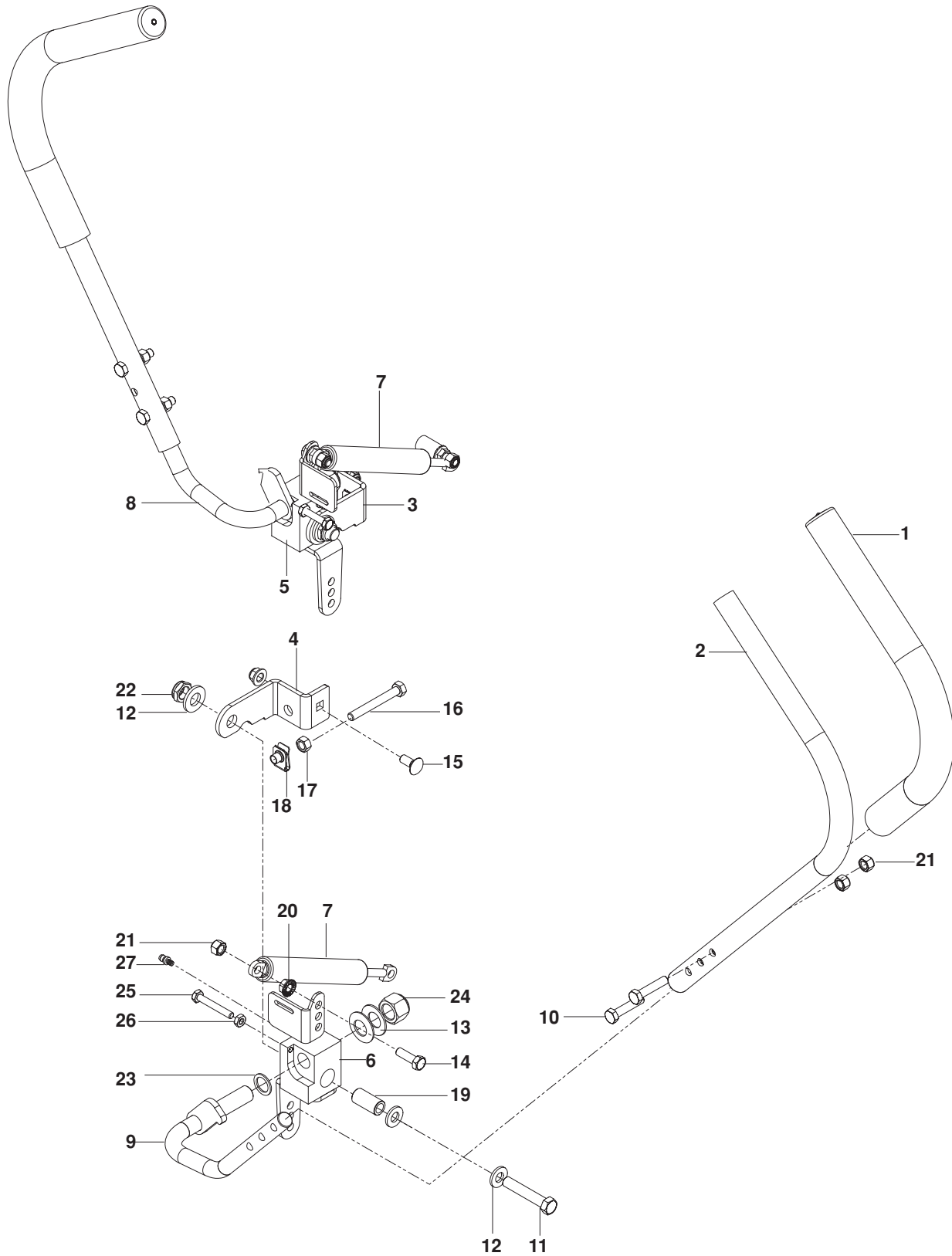
ENGINE PLATE



ENGINE PLATE

ITEM	PART NO.	QTY.	DESCRIPTION	ITEM	PART NO.	QTY.	DESCRIPTION
1..	532 120616....	3 HHFS 3/8-16 x 1 THD FRM	11..	539 115270....	1 BUSHING, METAL
2..	539 112899....	2 NUT 5/16-18 FLANGE NYLOC	12..	539 990717....	1 NUT 5/16-18 HEX NYLOC
3..	539 976937....	1 BOLT, HEX HD 5/16-18 x 2	13..	539 976938....	1 BOLT, HEX HD 5/16-18 x 2 1/4
4..	539 990588....	1 BOLT, HEX HD 3/8-16 x 2	14..	539 116350....	1 SPRING 3 1/2
5..	539 990188....	3 WASHER 5/16 SAE FLAT	15..	539 120990....	1 IDLER
6..	539 917033....	1 KEY 1/4 SQ x 2 1/2 LG	16..	539 110065....	1 BOLT, HEX HD 7/16-20 x 2 3/4
7..	539 990517....	3 WASHER 3/8 FLAT STD	17..	539 115546....	1 WASHER
8..	539 990655....	1 BOLT, HEX HD 3/8-16 x 1 1/2	18..	539 120238 ...	1 PULLEY, ENGINE
9..	539 200282....	1 NUT 3/8-16 HEX JAM NYLOC	19..	539 990585....	1 NUT 5/16-18 HEX WHIZLK
10..	539 120812....	1 PULLEY, IDLER	20..	539 976979....	3 NUT 3/8-16 HEX NYLOC

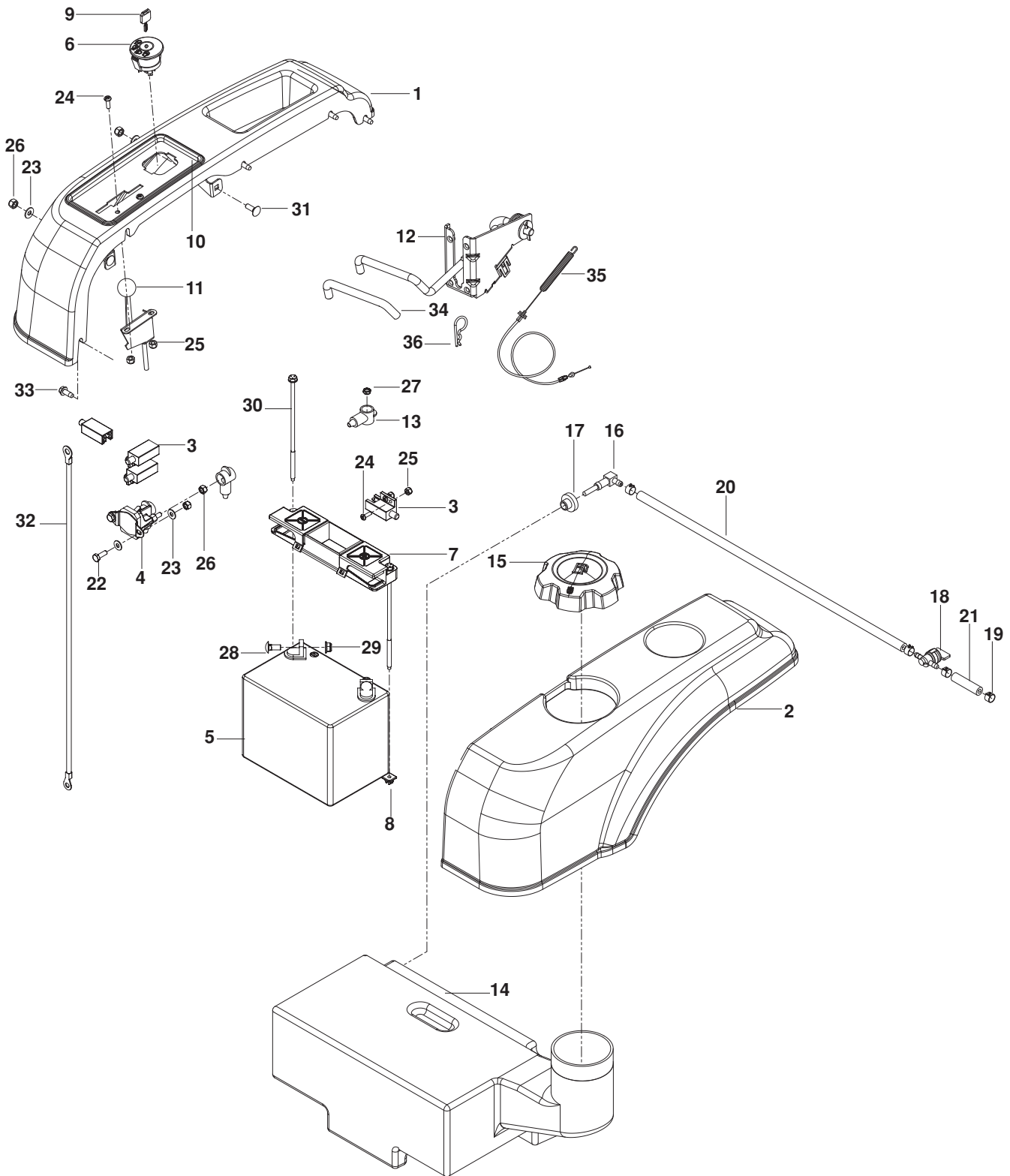
STEERING



STEERING

ITEM	PART NO.	QTY.	DESCRIPTION	ITEM	PART NO.	QTY.	DESCRIPTION
1..	539 120899....2	GRIP	15..	539 990316....4	BOLT, RD HD $\frac{5}{16}$ -18 x $\frac{3}{4}$
2..	539 120160....2	LEVER, UPPER	16..	539 108396....2	BOLT, HEX $\frac{5}{16}$ -18 x $2\frac{1}{2}$ TPBLT
3..	539 117949....1	STOP, STEER CNTRL RH	17..	539 990196....2	NUT, $\frac{5}{16}$ -18 HEX
4..	539 117950....1	STOP, STEER CNTRL LH	18..	539 104763....4	U TYPE RETAINER
5..	539 120984....1	PIVOT, RH	19..	539 120956....2	BUSHING $\frac{1}{2}$ ID x $\frac{3}{4}$ OD
6..	539 120983....1	PIVOT, LH	20..	539 990585....2	NUT $\frac{5}{16}$ -18 HEX WHIZLK
7..	539 114453....2	DAMPENER	21..	539 990717....4	NUT $\frac{5}{16}$ -18 HEX NYLOC
8..	539 120159....1	LOWER LEVER, RH	22..	539 108010....2	NUT $\frac{1}{2}$ -13 JAM NYLOC GR 2
9..	539 120162....1	LOWER LEVER, LH	23..	539 115570....2	WASHER, SPECIAL
10..	539 976935....4	BOLT, HEX HD $\frac{5}{16}$ -18 x $1\frac{1}{2}$	24..	539 110340....2	NUT $\frac{5}{8}$ -11 NYLOC
11..	539 101332....2	BOLT, HEX HD $\frac{1}{2}$ -13 x $2\frac{3}{4}$	25..	539 991003....2	BOLT, HEX HD $\frac{1}{4}$ -20 x $1\frac{3}{4}$
12..	539 990250....4	WASHER $\frac{1}{2}$ SAE	26..	539 991112....2	NUT $\frac{1}{4}$ -20 JAM
13..	539 911121....4	WASHER $\frac{5}{8}$ BELLEVILLE	27..	539 115638....2	ZERK
14..	539 990209....2	BOLT, HEX HD $\frac{5}{16}$ -18 x 1				

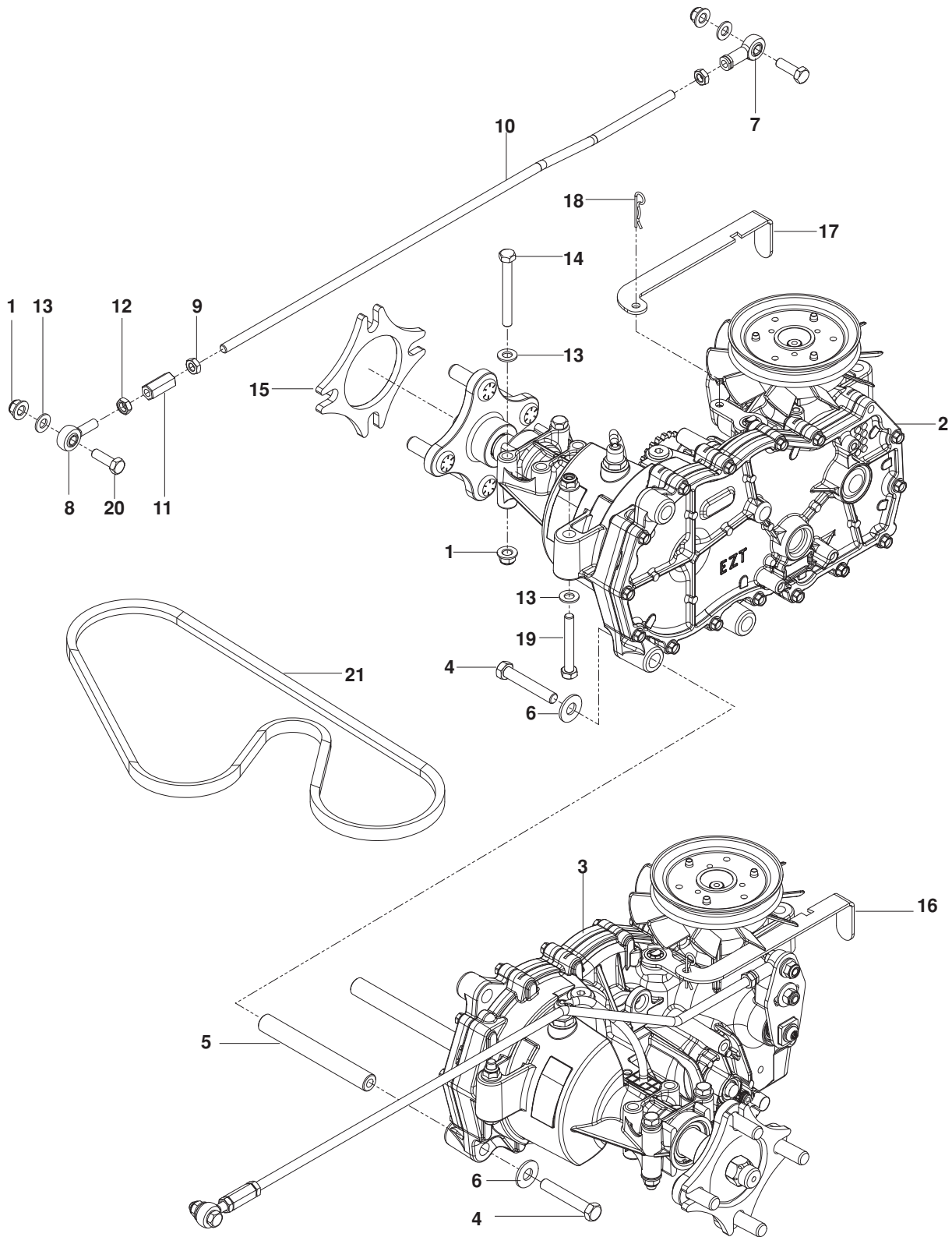
IGNITION



IGNITION

ITEM	PART NO.	QTY.	DESCRIPTION	ITEM	PART NO.	QTY.	DESCRIPTION		
1..	525 594701....	1	FENDER, RH	21..	539 121486....	1	HOSE, 1/4 x 2		
2..	525 594702....	1	FENDER, LH	22..	539 990580....	2	BOLT, HEX HD 1/4-20 x 3/4		
3..	539 101080....	4	SWITCH	23..	539 990055....	2	WASHER 1/4 FLAT SAE		
4..	539 101714....	1	SOLENOID	24..	539 976952....	8	SCREW #10-24 x 5/8		
5..	539 102436....	1	BATTERY	25..	539 976977....	8	NUT #10-24 HEX NYLOC		
6..	539 107541....	1	SWITCH, IGNITION	26..	539 976978....	4	NUT 1/4-20 HEX NYLOC		
7..	539 107628....	1	BATTERY HOLD DOWN	27..	539 108120....	1	NUT 1/4-20 HEX THIN NYLOC		
8..	539 107629....	2	NUT 1/4 PUSH NYLON	28..	539 990316....	2	BOLT, RD HD 5/16-18 x 3/4		
9..	539 107544....	1	KEY, IGNITION	29..	539 112899....	2	NUT 5/16-18 FLANGE NYLOC		
10..	525 598601....	1	PANEL, CONTROLS	30..	539 107632....	2	BOLT 1/4 x 7 1/2		
11..	522 730101....	1	CABLE, THROTTLE	31..	539 990074....	2	BOLT, RD HD 1/4-20 x 3/4 GR2		
12..	525 829302....	1	CLUTCH ASSY w/ CABLE	32..	539 110068....	1	BATTERY CABLE, NEGATIVE		
13..	539 116400....	3	TERMINAL COVER, SM	33..	539 990362....	9	SCREW 1/4-20 x 5/8 SLF TAP		
14..	539 120195....	1	TANK, FUEL	34..	525 868802....	1	GRIP, CLUTCH		
15..	539 130393....	1	CAP, FUEL	35..	532 193235....	1	CABLE, CLUTCH		
16..	539 124804....	1	ELBOW w/ FILTER	36..	532 165898....	1	RETAINER, SPRING		
17..	539 126217....	1	FITTING, TANK	NOT SHOWN			539 104974 ...	1	CABLE, POSITIVE
18..	539 119272....	1	VALVE, FUEL				539 103306 ...	1	CABLE, POSITIVE LONG
19..	539 912222....	4	CLAMP, HOSE				525 744301 ..	1	WIRING HARNESS
20..	539 115743....	1	HOSE 1/4 x 21				539 110290 ...	2	FOAM STRIP, TANK

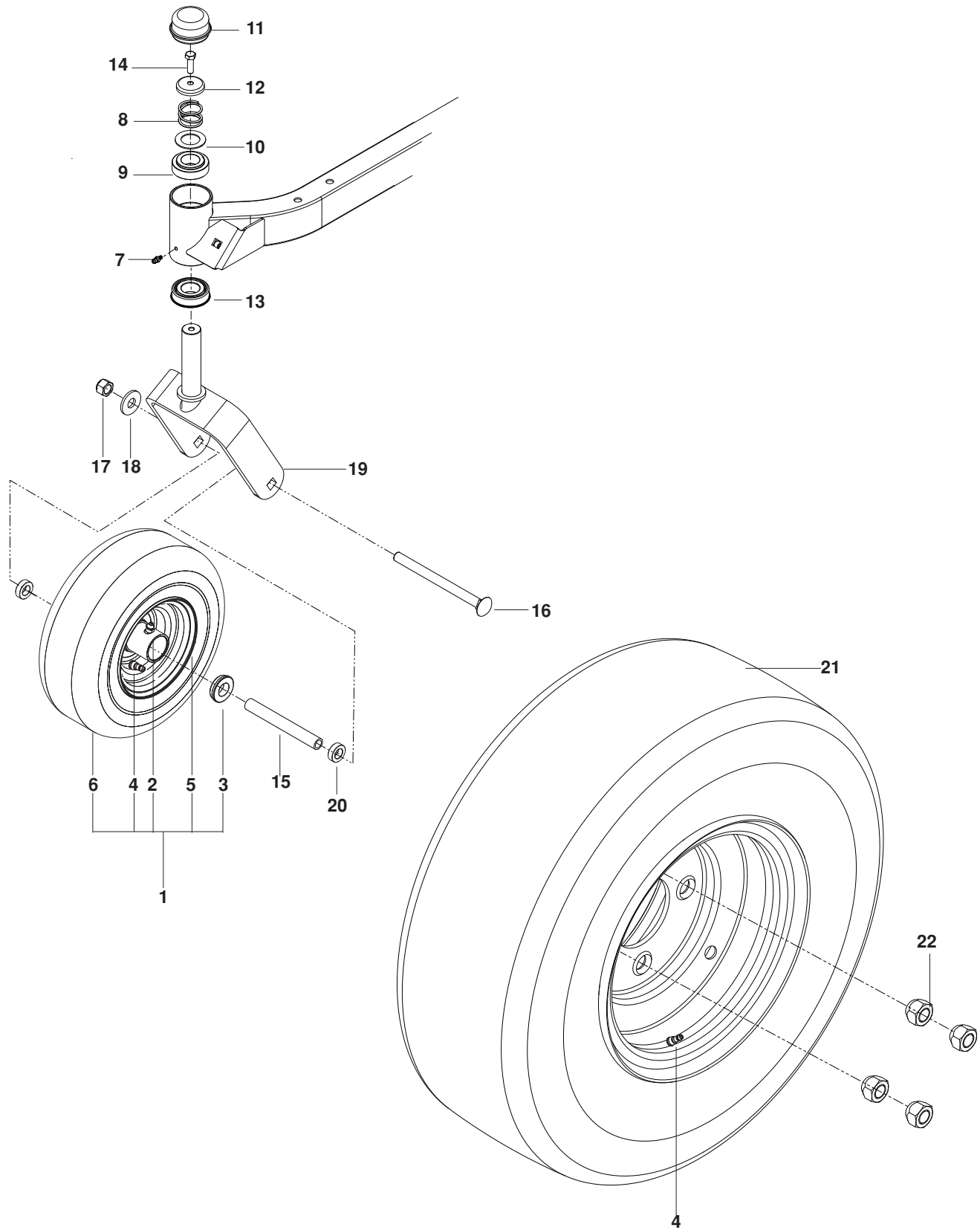
HYDRAULIC PUMP / MOTOR



HYDRAULIC PUMP / MOTOR

ITEM	PART NO.	QTY.	DESCRIPTION	ITEM	PART NO.	QTY.	DESCRIPTION
1..	539 112899..	10	NUT ⁵ / ₁₆ -18 FLANGE NYLOC	12..	539 991073....	2	NUT ⁵ / ₁₆ -24 HEX JAM LH
2..	539 120152....	1	HYDRO, RH	13..	539 990188..	10	WASHER ⁵ / ₁₆ SAE FLAT
3..	539 120153....	1	HYDRO, LH	14..	539 101721....	4	BOLT, HEX HD ⁵ / ₁₆ -18 x 2 ³ / ₄
4..	539 990629....	4	BOLT, HEX HD ³ / ₈ -16 x 2 ¹ / ₄	15..	539 114804....	2	SPACER, WHEEL
5..	539 120154....	2	SPACER, HYDRO	16..	539 120156....	1	RELEASE HANDLE, LH
6..	539 990517....	4	WASHER ³ / ₈ FLAT STD	17..	539 120157....	1	RELEASE HANDLE, RH
7..	539 115729....	2	ROD END, RH	18..	539 976988....	2	HAIRPIN COTTER
8..	539 116690....	2	ROD END, MALE LH	19..	539 976938....	2	BOLT, HEX HD ⁵ / ₁₆ -18 x 2 ¹ / ₄
9..	539 115502....	4	NUT ⁵ / ₁₆ -24 HEX JAM	20..	539 990209....	4	BOLT, HEX HD ⁵ / ₁₆ -18 x 1
10..	539 120169....	2	ROD, CONTROL	21..	539 120806....	1	BELT, EZT
11..	539 116689....	2	ROD END COUPLER				

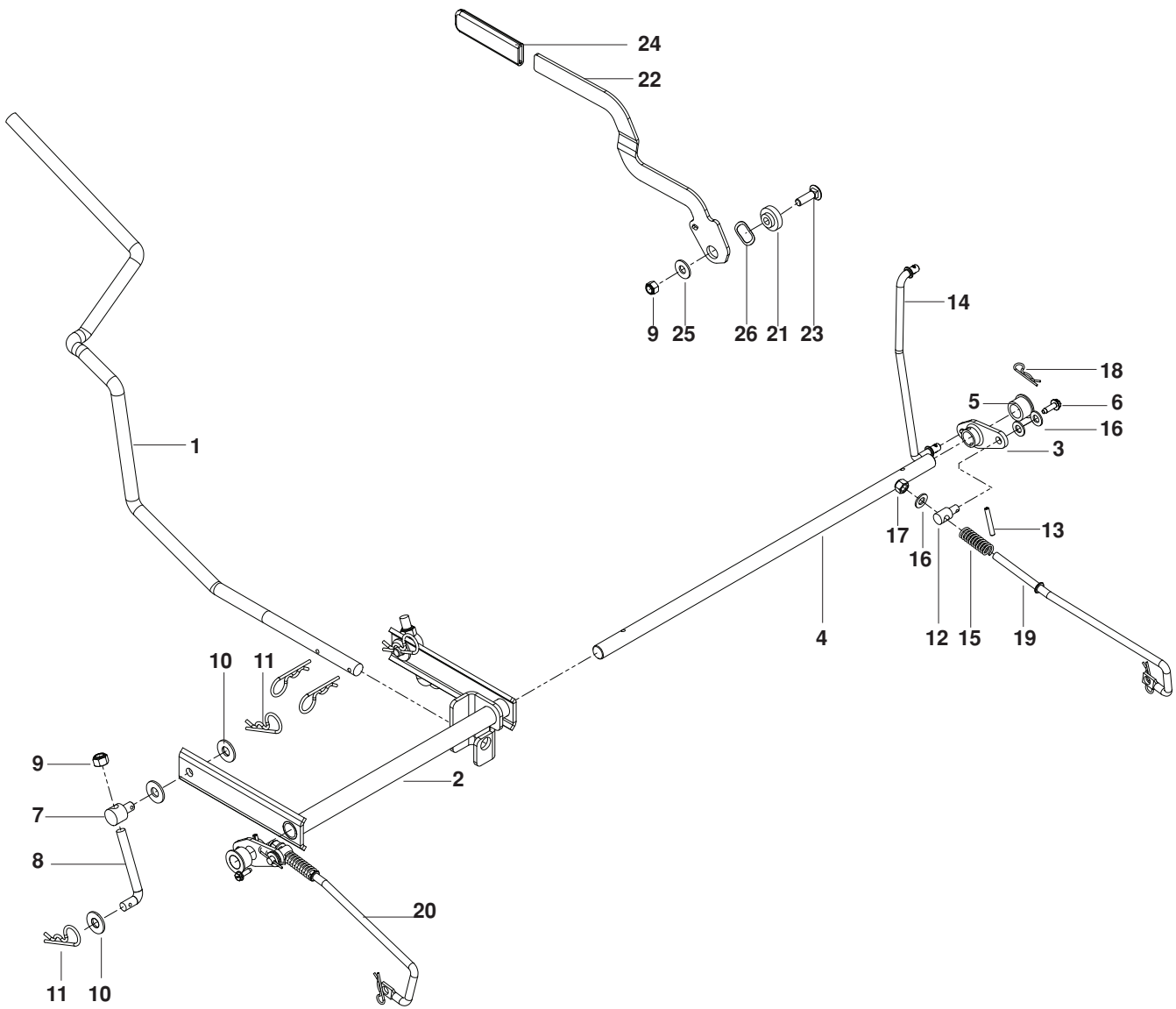
WHEELS / TIRES



WHEELS / TIRES

ITEM	PART NO.	QTY.	DESCRIPTION	ITEM	PART NO.	QTY.	DESCRIPTION
1..	539 110333....	2 CASTER TIRE ASSY	12..	539 115749....	2 PLUG, CASTER
2..	539 103300....	2 ZERK	13..	539 112660....	2 BEARING, FLANGED
3..	539 102484....	4 BEARING, FLANGED	14..	539 115566....	2 HHB $\frac{5}{16}$ -18 x 1 NYLOC
4..	539 912234....	4 VALVE	15..	539 105543....	2 SPACER
5..	539 106994....	2 RIM	16..	539 121159....	2 BOLT, RD HD $\frac{1}{2}$ -13 x $6\frac{1}{2}$
6..	539 106995....	2 TIRE	17..	539 101331....	2 NUT $\frac{1}{2}$ HEX NYLOC
7..	539 115638....	2 ZERK	18..	539 109554....	2 WASHER $\frac{1}{2}$ FLAT
8..	539 115747....	2 SPRING, CASTER	19..	510 186501....	2 YOKE, CASTER
9..	539 117901....	2 BUSHING, CASTER	20..	539 114805....	4 SPACER $\frac{5}{16}$
10..	539 115675....	2 WASHER	21..	539 120187....	2 WHEEL ASSY REAR
11..	539 102535....	2 CAP, GREASE	22..	539 101173....	8 NUT $\frac{1}{2}$ LUG

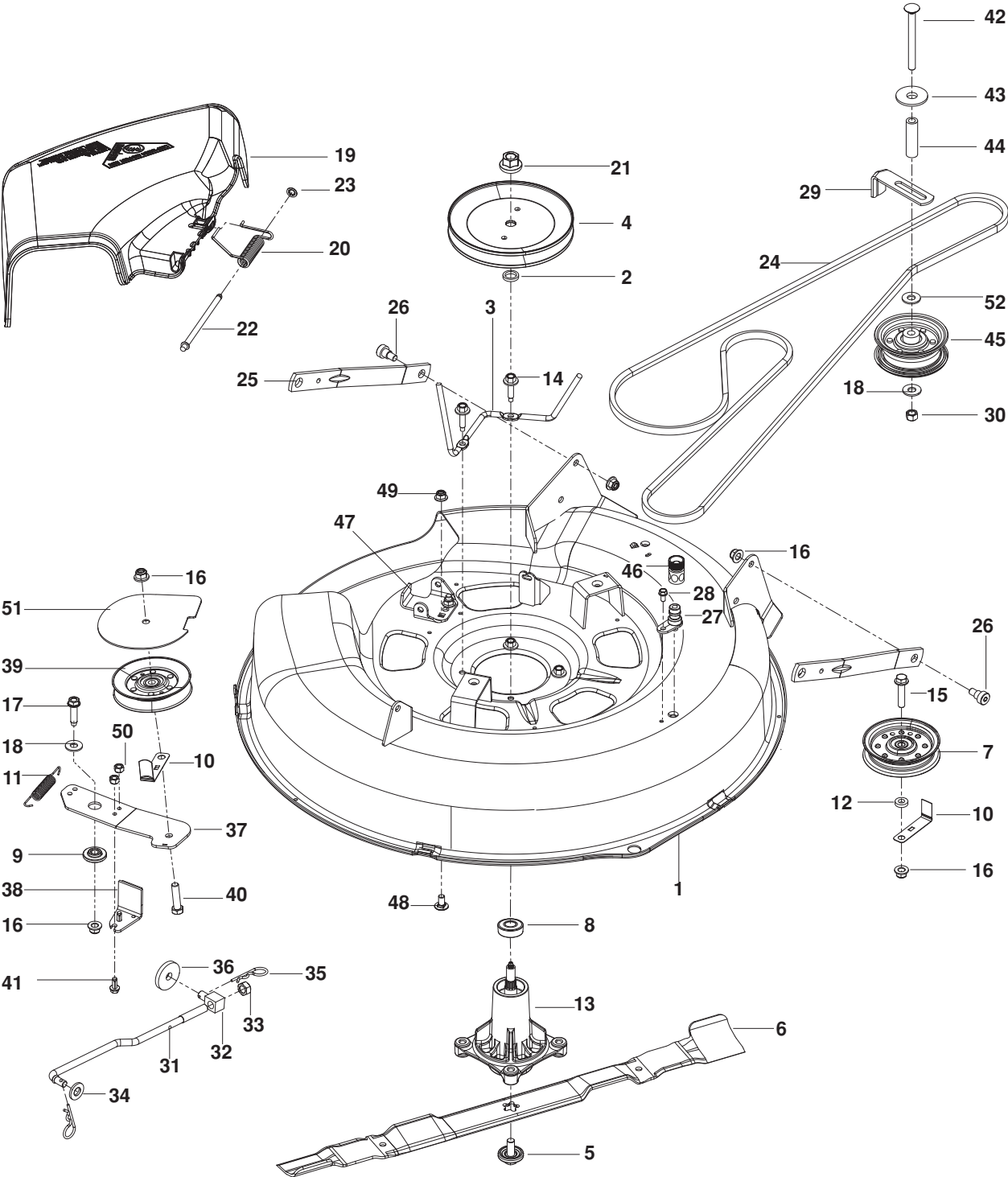
BRAKE / DECK LIFT



BRAKE / DECK LIFT

ITEM	PART NO.	QTY.	DESCRIPTION	ITEM	PART NO.	QTY.	DESCRIPTION
1..	525 580402...	1 HANDLE, LIFT	16..	539 990188....	6 WASHER ⁵ / ₁₆ SAE FLAT
2..	525 580602...	1 SHAFT, LIFT	17..	539 990717....	2 NUT ⁵ / ₁₆ -18 HEX NYLOC
3..	525 580201...	2 BELLCRANK, BRAKE	18..	539 976988....	4 HAIRPIN COTTER
4..	525 580301...	1 ROD, BRAKE	19..	525 583601...	1 LINKAGE, BRAKE RT
5..	539 109368....	2 BUSHING, PLASTIC	20..	525 583701...	1 LINKAGE, BRAKE LT
6..	539 991034....	2 SCREW 10-24 x ⁵ / ₈ " WSH HD	21..	539 120220....	1 PIVOT, BRAKE ARM
7..	539 118179....	2 SWIVEL	22..	525 485602....	1 HANDLE, BRAKE
8..	539 115247....	2 L-ROD 3 ¹ / ₈ "	23..	539 100413....	1 BOLT, RD HD ³ / ₈ -16 x 1 ¹ / ₄
9..	539 976979....	3 NUT ³ / ₈ -16 HEX NYLOC	24..	539 120921....	1 GRIP, BRAKE HANDLE
10..	539 990517....	7 WASHER ³ / ₈ FLAT STD	25..	539 102843....	1 WASHER ⁷ / ₁₆ SPRING DISK
11..	539 976989....	6 HAIRPIN	26..	539 133007....	1 WASHER, .825
12..	539 112308....	2 SWIVEL, BRAKE	NOT SHOWN			
13..	539 101082....	2 ROLL PIN ³ / ₁₆ "	532	196492 ...	1 GRIP, LIFT HANDLE
14..	525 735701...	1 LINKAGE, UPPER				
15..	539 101224....	2 SPRING				

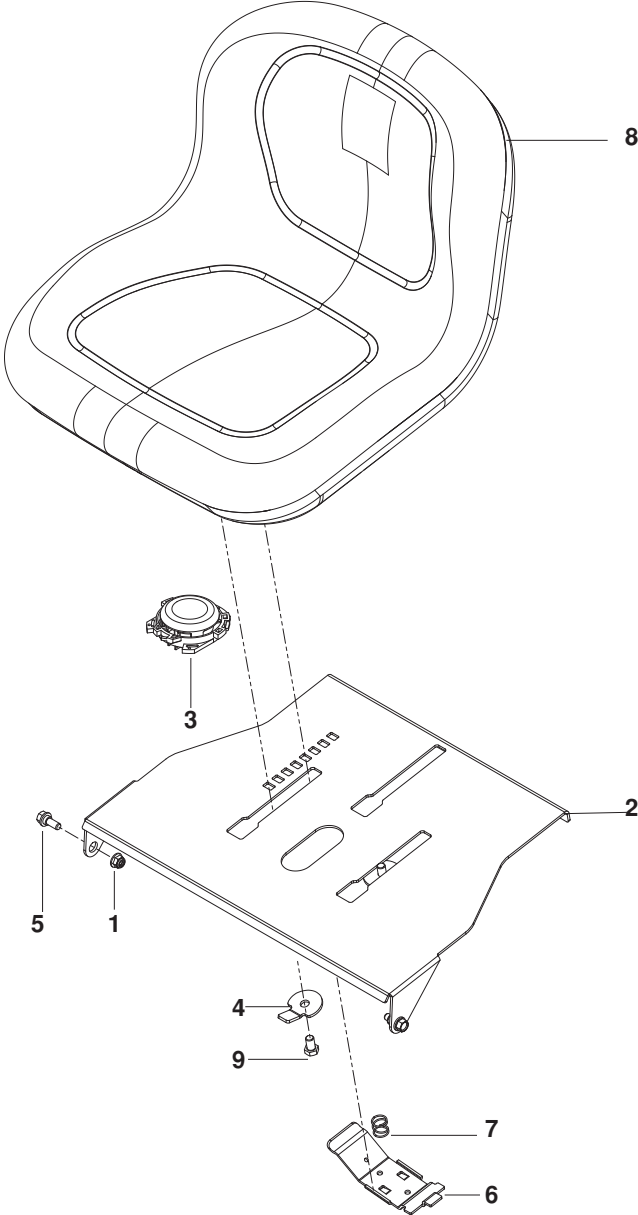
30" DECK



30" DECK

ITEM	PART NO.	QTY.	DESCRIPTION	ITEM	PART NO.	QTY.	DESCRIPTION
1..	527 290801....	1 DECK w/ DECALS	27..	532 415598....	1 WASHOUT PORT
2..	539 107520....	1 WASHER/SPACER	28..	539 108461....	1 BOLT ¼-20 x ½ HWST
3..	532 400140....	1 KEEPER, BELT	29..	525 851801....	1 GUIDE, BELT
4..	532 199791....	1 PULLEY, MANDREL	30..	539 976979....	1 NUT ¾-16 HEX NYLOC
5..	532 193003....	1 BOLT/WASHER ASSY	31..	532 195740....	1 LINK, SUSPENSION
6..	777 419274....	1 BLADE, MOWER/MULCH	32..	539 114789....	1 SWIVEL
7..	532 175820....	1 PULLEY, IDLER	33..	573 975201....	1 NUT 7/16-20 HEX NYLOC
8..	539 112050....	1 BEARING, BALL	34..	539 990250....	1 WASHER ½ SAE
9..	532 199092....	1 SPACER RETAINER	35..	539 976989....	2 HAIRPIN
10..	529 311701....	2 KEEPER, BELT	36..	539 106504....	1 WASHER 1¾ x ¼ HEAVY
11..	532 401872....	1 SPRING RETURN	37..	574 172802....	1 ARM, IDLER
12..	539 109562....	1 WASHER ¾ x ¾	38..	529 311801....	1 ARM, LH BRAKE
13..	539 112057....	1 MANDREL ASSY	39..	532 173902....	1 IDLER V-GROOVE
14..	539 107630....	4 SCREW 5/16-18 WASHER HD	40..	539 990655....	1 BOLT, HEX HD ¾-16 x 1½
15..	539 990701....	1 BOLT ¾-16 x 1 ¾ WHIZLK	41..	539 107631....	2 SCREW ¼-20 x 5/8 THDROLL
16..	521 996501....	5 NUT ¾-16 FLANGE NYLOC	42..	525 848601....	1 BOLT, RD HD ¾-16 x 4
17..	539 110025....	1 BOLT ¾-16 x 1½ THD FRM	43..	539 104864....	1 WASHER 7/16 FLAT
18..	539 990517....	2 WASHER ¾ FLAT STD	44..	525 848801....	1 SPACER .390 ID x 2¼
19..	532 417344....	1 CHUTE, DISCHARGE	45..	539 110311....	1 PULLEY, DECK IDLER
20..	539 107609....	1 SPRING, TORSION	46..	532 416405....	1 COUPLING, QUICK DISC
21..	539 107590....	1 NUT 9/16 TOP CENTER LOCK	47..	532 192557....	1 BRACKET, DEFLECTOR
22..	532 121980....	1 ROD, HINGE	48..	539 990799....	2 BOLT, RD HD 5/16-18 x 5/8
23..	539 107626....	1 NUT 5/16 PUSH	49..	539 112899....	2 NUT 5/16-18 FLANGE NYLOC
24..	574 173002....	1 BELT, DECK	50..	539 976978....	2 NUT ¼-20 HEX NYLOC
25..	525 567801....	2 ARM, DECK SUSPENSION	51..	573 970402....	1 COVER, PULLEY
26..	539 113621....	2 BOLT ¾-16 x ¾ SKT HD	52..	539 109562....	1 WASHER ¾

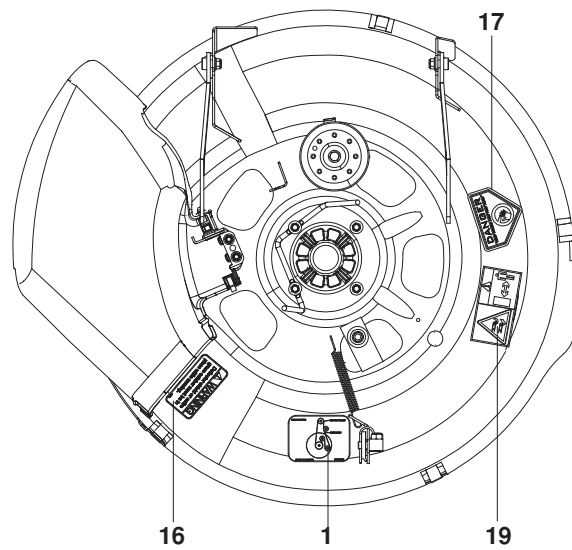
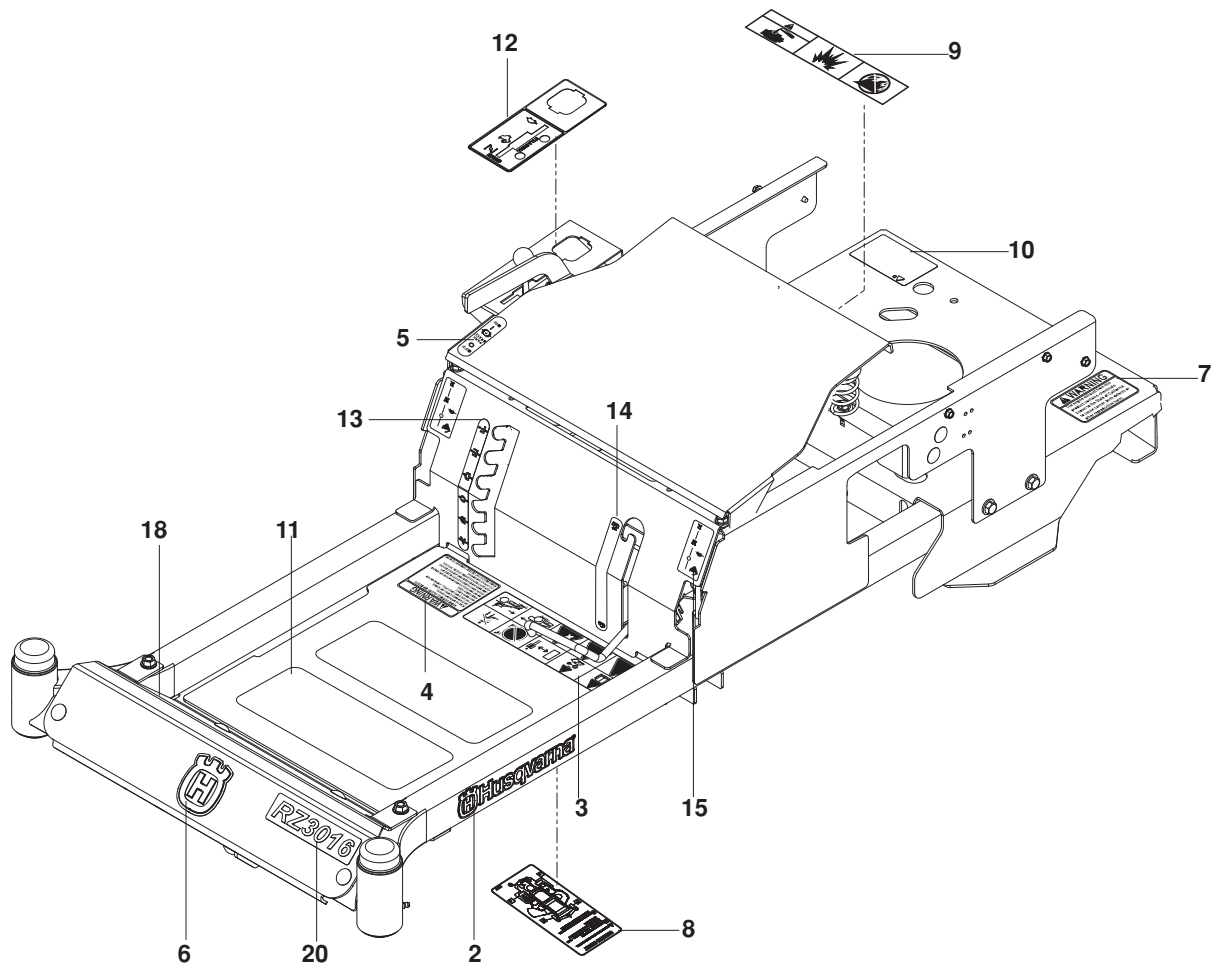
SEAT



SEAT

ITEM	PART NO.	QTY.	DESCRIPTION	ITEM	PART NO.	QTY.	DESCRIPTION
1..	539 112899....2	NUT ⁵ / ₁₆ -18 FLANGE NYLOC	6..	532 197661....1	HANDLE, SEAT SLIDE
2..	525 580002....1	PLATE, SEAT	7..	532 198200....1	SPRING, SEAT SLIDE
3..	539 132140....1	SWITCH, SEAT N/C	8..	532 424068....1	SEAT
4..	574 191002....1	STOP, SEAT	9..	539 108503....3	BOLT, HEX HD ³ / ₈ -16 x ⁵ / ₈
5..	539 110303....2	BOLT ⁵ / ₁₆ -SHOULDER				

DECALS



DECALS

ITEM	PART NO.	QTY.	DESCRIPTION	ITEM	PART NO.	QTY.	DESCRIPTION
1..	525 798501....	1	DECAL, BELT ROUTING	11..	539 977778....	2	PAD, ABRASIVE
2..	532 422012....	2	DECAL, HUSQVARNA	12..	525 803502....	1	DECAL, CONTROL PANEL
3..	539 109908....	1	DECAL, SAFETY WARNING	13..	525 814201....	1	DECAL, DECK HEIGHT
4..	539 113213....	1	DECAL, WARNINGS	14..	525 814301....	1	DECAL, BLADE ENGAGE
5..	539 120006....	1	DECAL, PARK BRAKE	15..	539 103333....	2	DECAL, MOTION CONTROL
6..	532 422011....	1	DECAL, CROWN	16..	539 113224....	1	DECAL, WARNING
7..	539 101881....	1	DECAL, PROP 65	17..	539 913010....	1	DECAL, BLADE WARN
8..	539 109897....	1	DECAL, SERVICE	18..	539 121322....	1	FOOT PAD
9..	539 105745....	1	DECAL, BATTERY WARNING	19..	539 105746....	1	DECAL, SEVERING
10..	539 108385....	1	DECAL, DO NOT TOW	20..	525 803301....	1	DECAL, RZ3016

